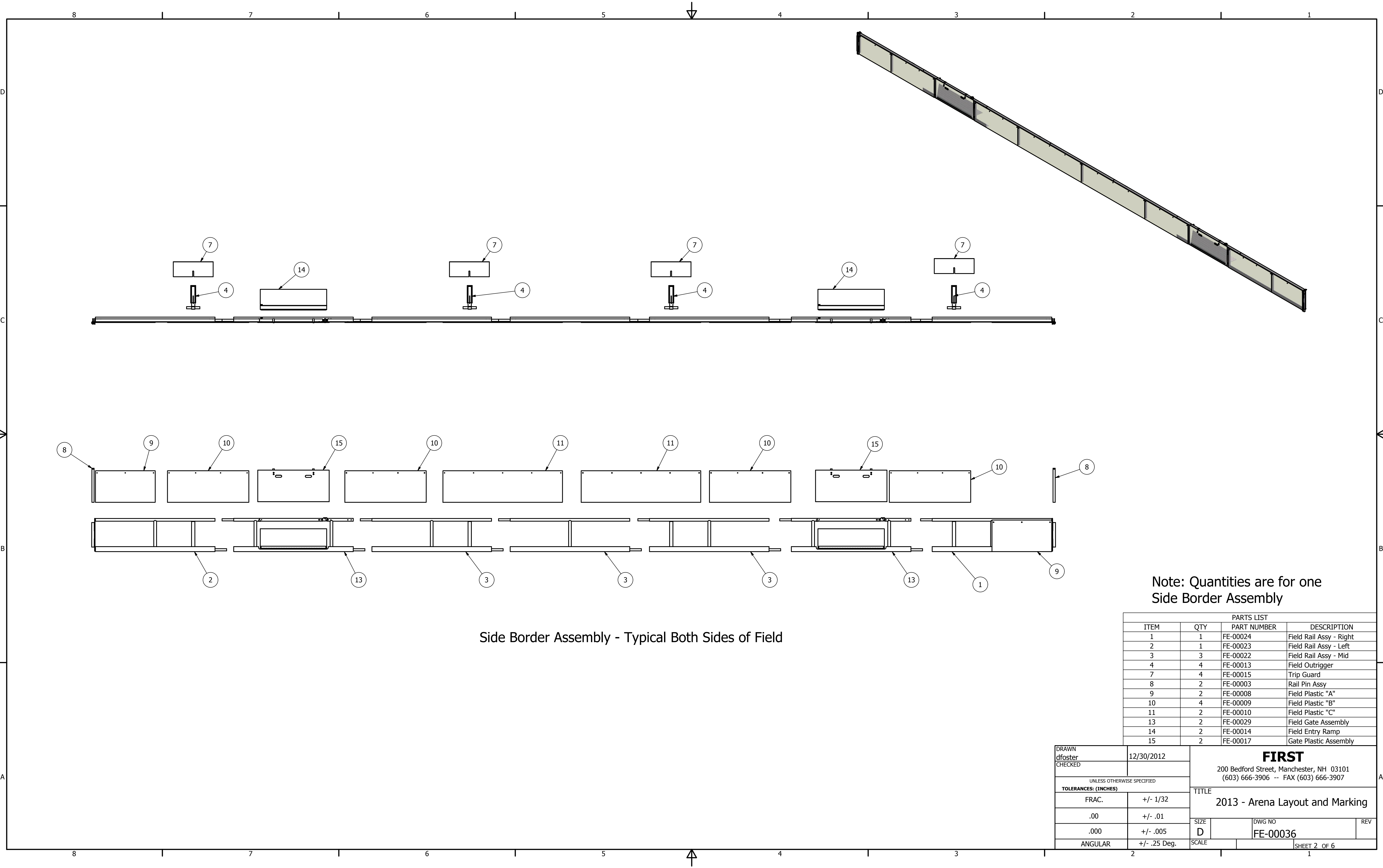


Floor Protector Layout

DETAIL A
SCALE 1/30

PARTS LIST			
ITEM	QTY	PART NUMBER	DESCRIPTION
1	2	FE-00036-01	Field Border Sub-Assembly
2	2	FE-00036-02	End Panel Sub-Assembly
3	2	GE-13043	Pyramid Assembly
4	2	GE-13045	Feeder Station Assembly
5	2	GE-13048	Feeder/Low Goal Station
6	8	GE-13050	Corner, Floor Protector
7	8	GE-13051	Outer Edge, Floor Protector
8	4	GE-13052	Middle Floor Protector

DRAWN dfoster	12/30/2012	FIRST 200 Bedford Street, Manchester, NH 03101 (603) 666-3906 -- FAX (603) 666-3907	
CHECKED			
UNLESS OTHERWISE SPECIFIED		TITLE	
TOLERANCES: (INCHES)		2013 - Arena Layout and Marking	
FRAC.	+/- 1/32	SIZE	DWG NO
.00	+/- .01	D	FE-00036
.000	+/- .005	SCALE	REV
ANGULAR	+/- .25 Deg.		SHEET 1 OF 6

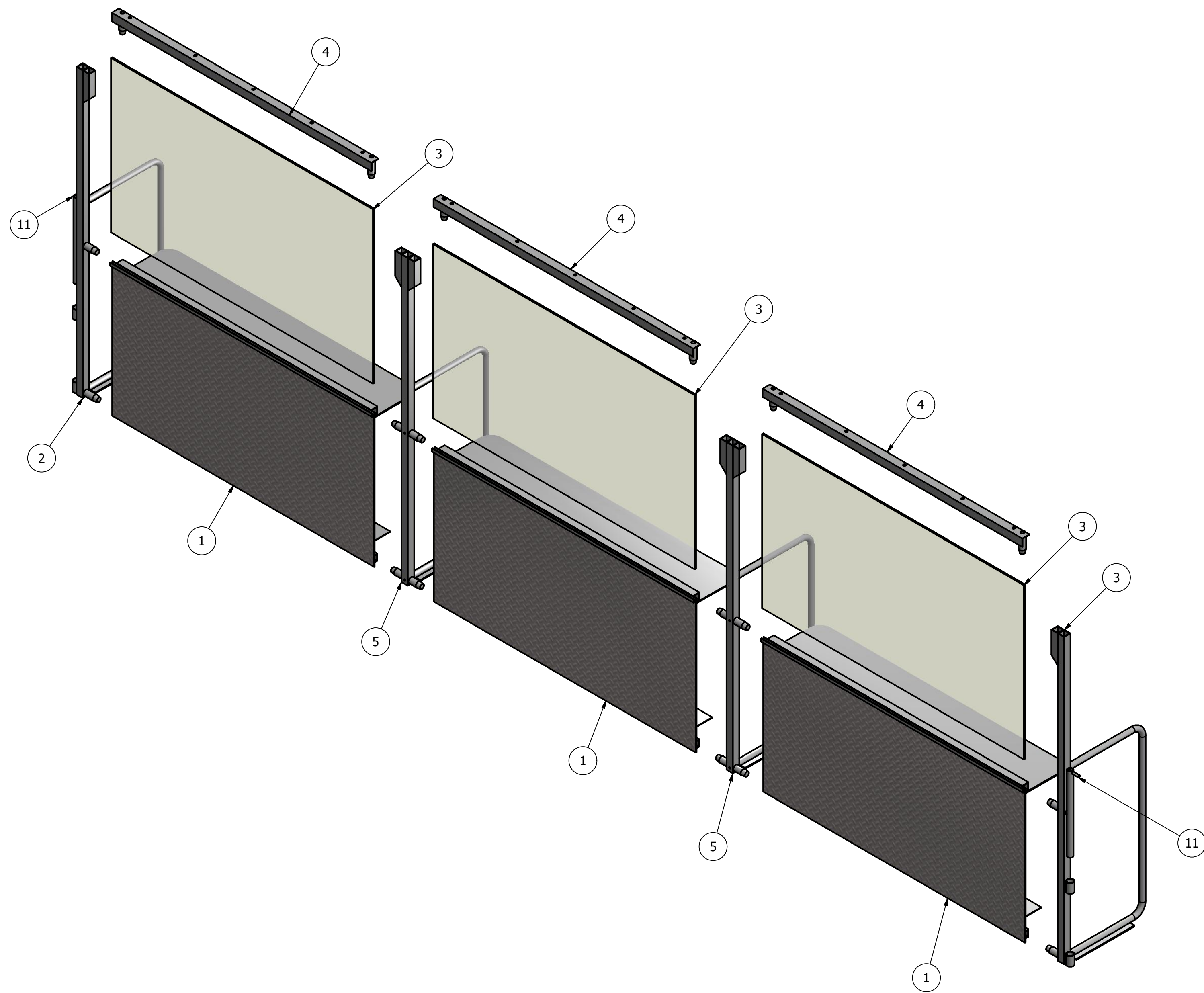


Side Border Assembly - Typical Both Sides of Field

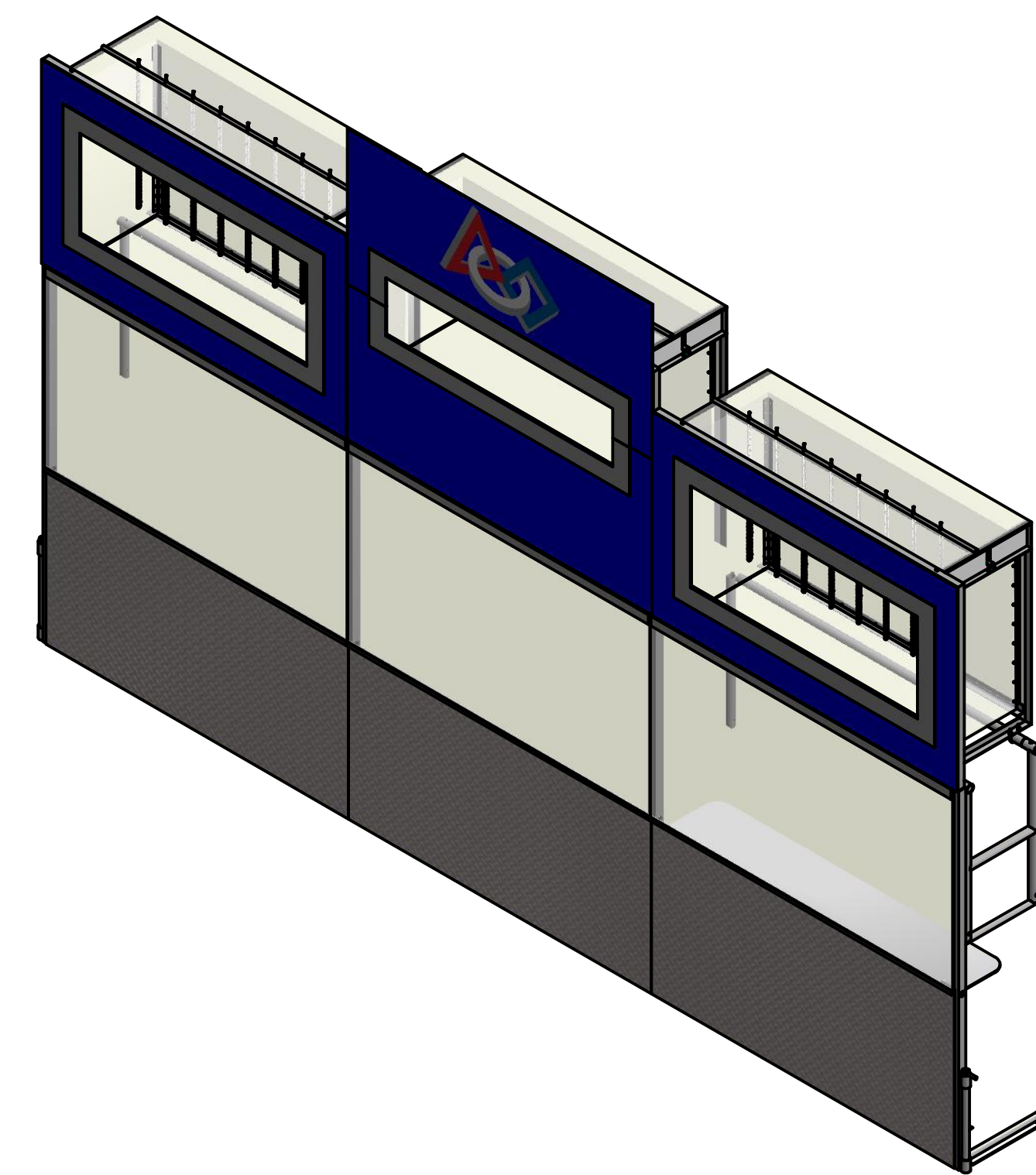
Note: Quantities are for one Side Border Assembly

PARTS LIST			
ITEM	QTY	PART NUMBER	DESCRIPTION
1	1	FE-00024	Field Rail Assy - Right
2	1	FE-00023	Field Rail Assy - Left
3	3	FE-00022	Field Rail Assy - Mid
4	4	FE-00013	Field Outrigger
7	4	FE-00015	Trip Guard
8	2	FE-00003	Rail Pin Assy
9	2	FE-00008	Field Plastic "A"
10	4	FE-00009	Field Plastic "B"
11	2	FE-00010	Field Plastic "C"
13	2	FE-00029	Field Gate Assembly
14	2	FE-00014	Field Entry Ramp
15	2	FE-00017	Gate Plastic Assembly

DRAWN dfoster	12/30/2012	FIRST 200 Bedford Street, Manchester, NH 03101 (603) 666-3906 -- FAX (603) 666-3907	
CHECKED			
UNLESS OTHERWISE SPECIFIED		TITLE	
TOLERANCES: (INCHES)		2013 - Arena Layout and Marking	
FRAC.	+/- 1/32	SIZE	DWG NO
.00	+/- .01	D	FE-00036
.000	+/- .005	SCALE	REV
ANGULAR	+/- .25 Deg.		



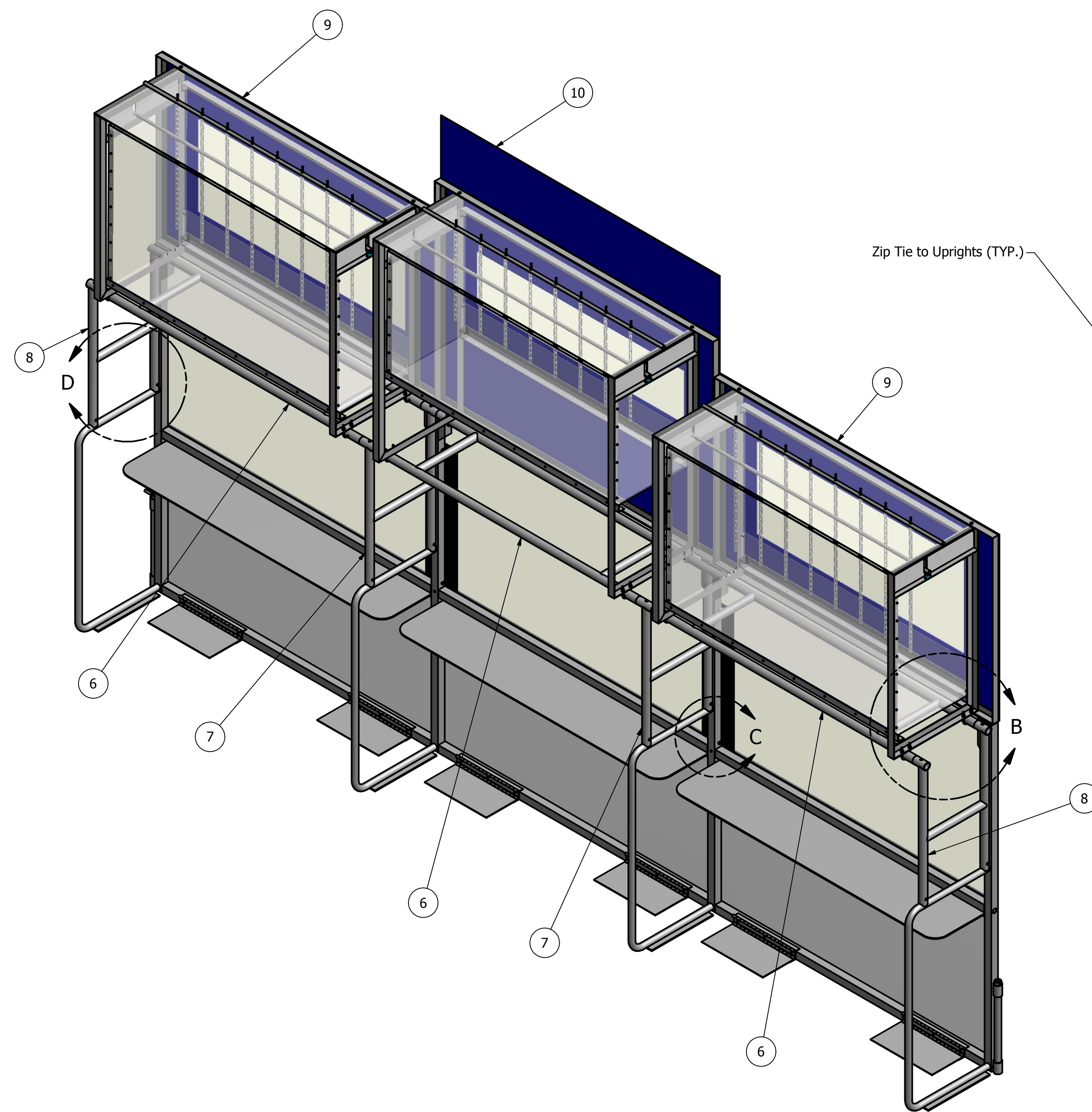
End Panel Assembly (Step 1) - Typical Both Ends of Field



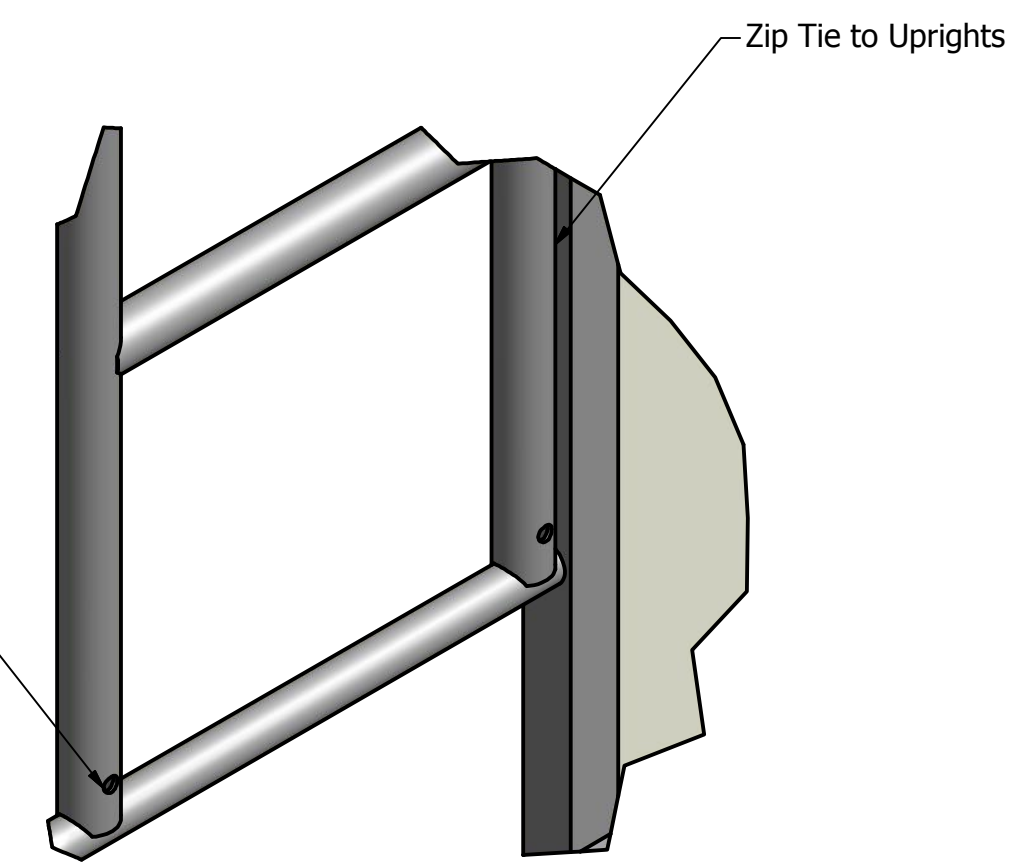
Note: Quantities are for one End Panel Assembly

PARTS LIST			
ITEM	QTY	PART NUMBER	DESCRIPTION
1	3	FE-00004	End Panel
2	2	FE-00002	Corner Support
3	3	FE-00012	Drivers Station Acrylic
4	3	FE-00007	Field Top Rail Assy
5	2	FE-00001	Driver's Station Support Assy
6	3	FE-00101	Shelf, End Panel
7	2	FE-00102	Shelf Support Inner
8	2	FE-00103	Shelf Support, Outer
9	2	GE-13028	Middle Goal Assembly
10	1	GE-13027	High Goal Assembly
11	2	FE-00003	Rail Pin Assembly
12	2	GE-13086	End Panel Reflector Assembly
13	12	HW-00077	U-Bolt, 1/4-20 x 3"
14	24	HW-00002	Nut, Lock 1/4-20

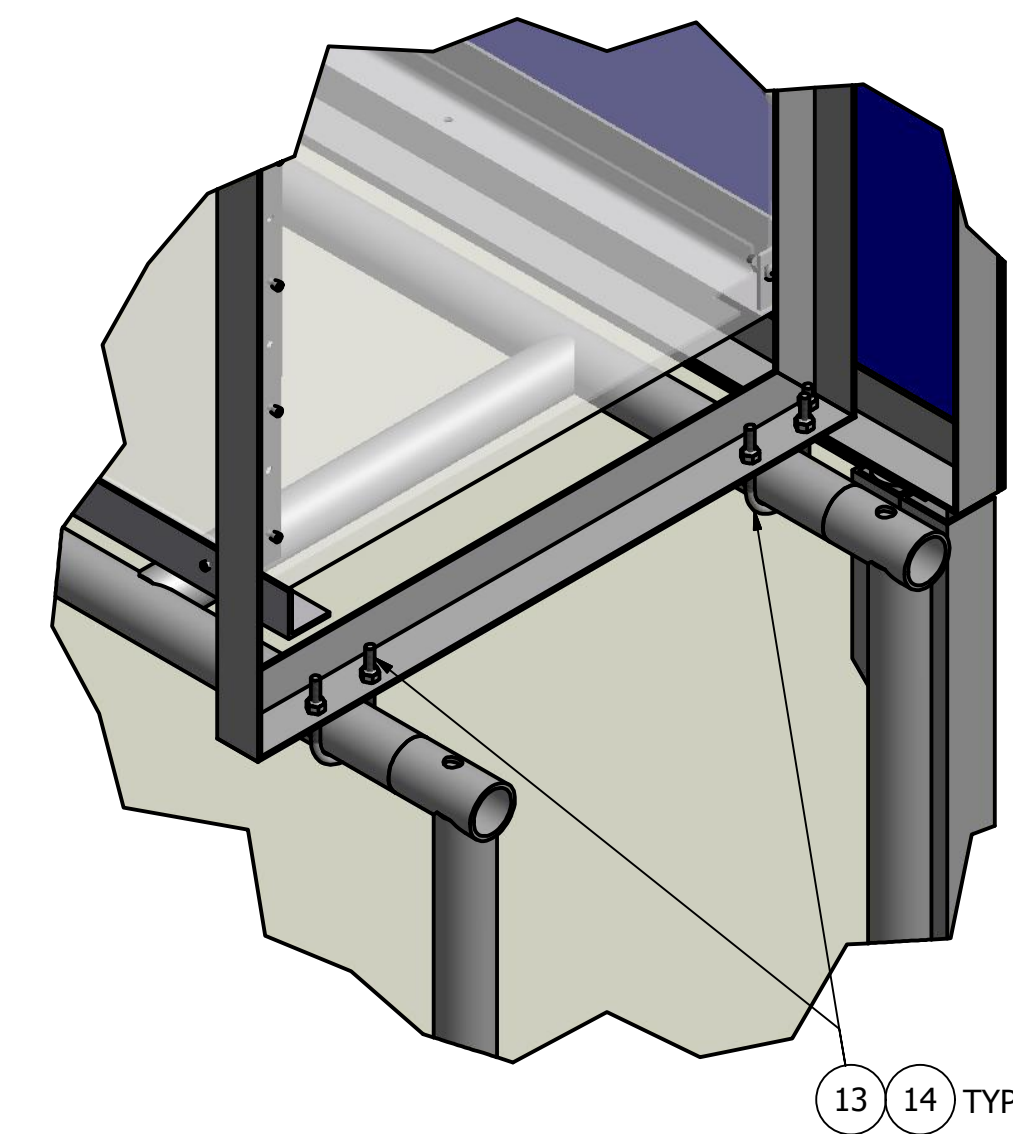
DRAWN dfoster	12/30/2012	FIRST 200 Bedford Street, Manchester, NH 03101 (603) 666-3906 -- FAX (603) 666-3907	
CHECKED			
UNLESS OTHERWISE SPECIFIED		TITLE	
TOLERANCES: (INCHES)		2013 - Arena Layout and Marking	
FRAC.	+/- 1/32	SIZE	DWG NO
.00	+/- .01	D	FE-00036
.000	+/- .005	SCALE	REV
ANGULAR	+/- .25 Deg.		



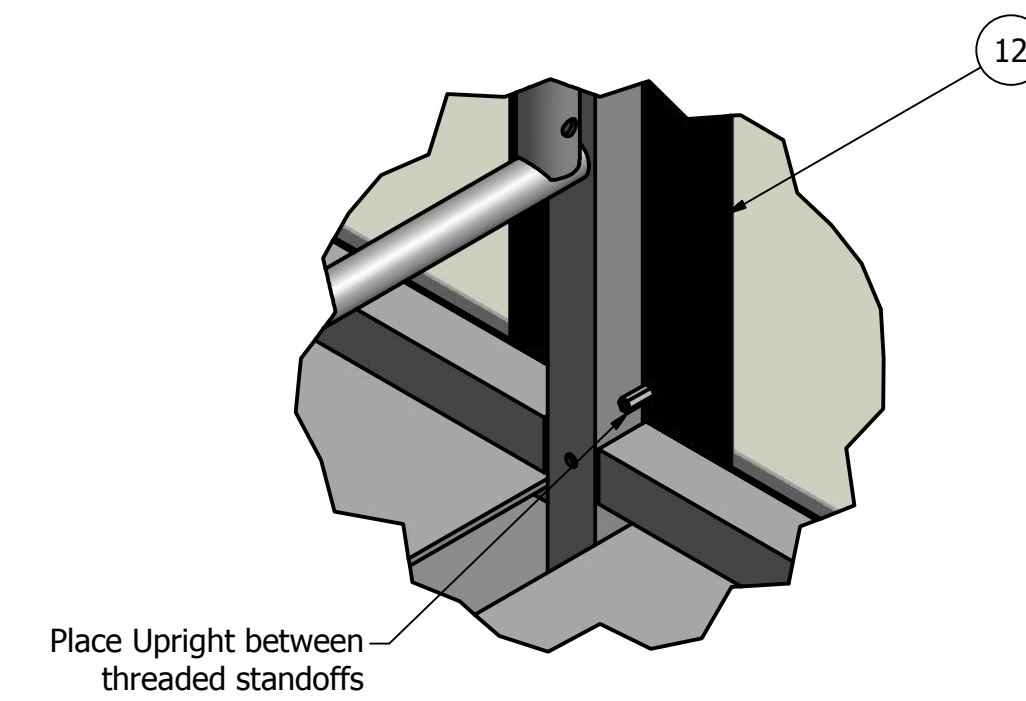
End Panel Assembly (Step 2) - Typical Both Ends of Field



DETAIL D
SCALE 1/5

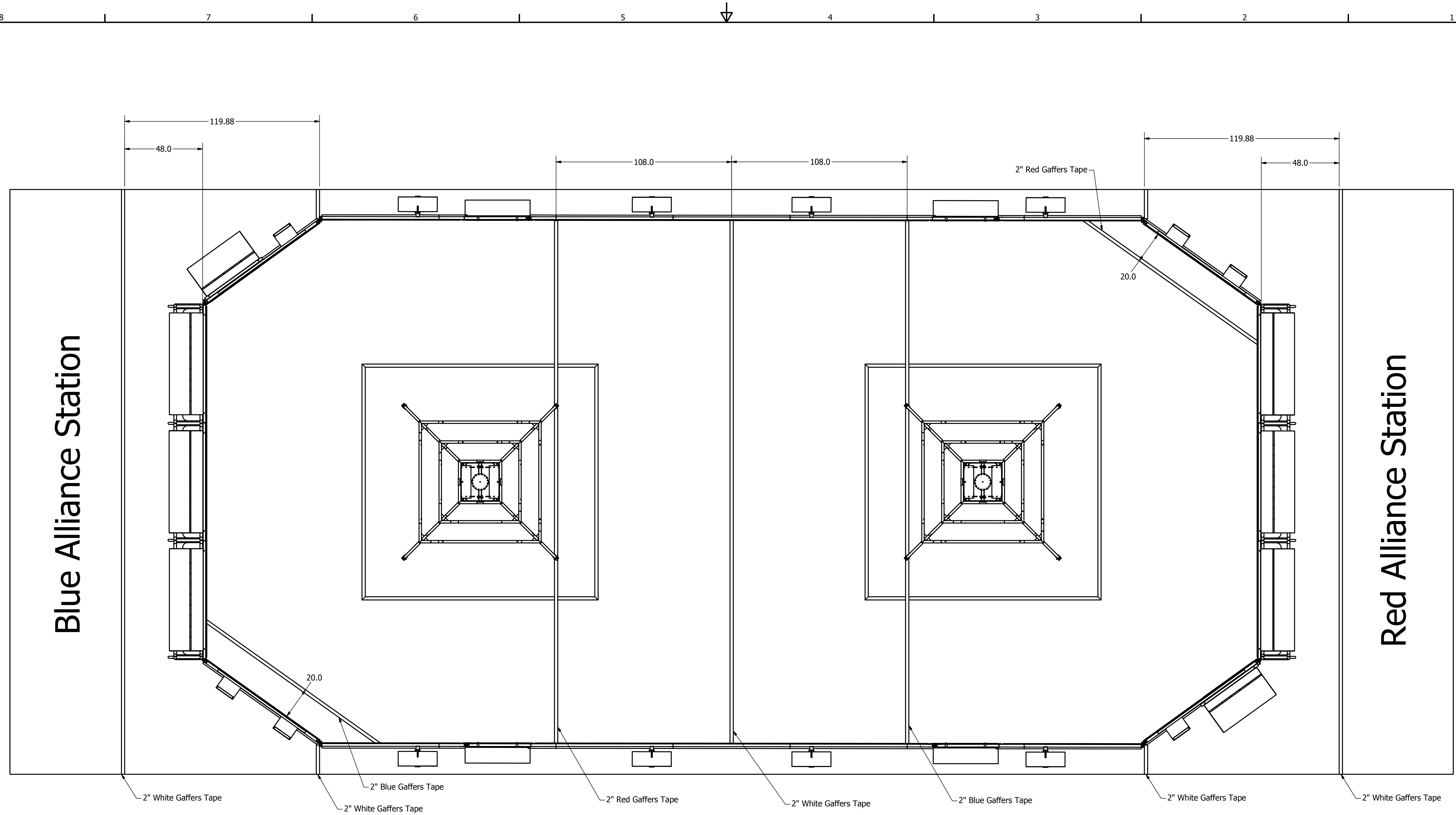


DETAIL B
SCALE 1/5



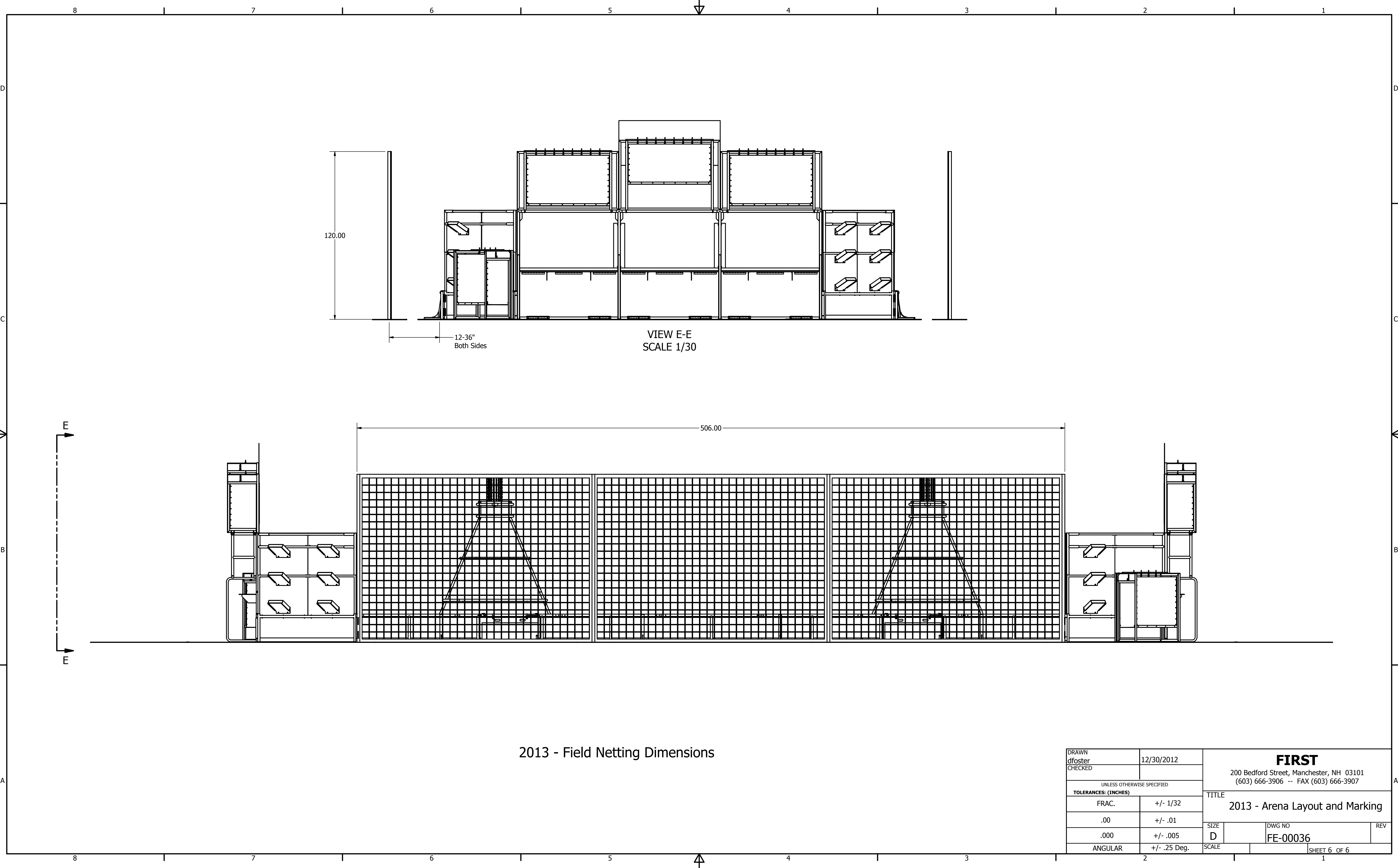
DETAIL C
SCALE 1/5

DRAWN dfoster	12/30/2012	FIRST 200 Bedford Street, Manchester, NH 03101 (603) 666-3906 -- FAX (603) 666-3907		
CHECKED				
UNLESS OTHERWISE SPECIFIED		TITLE 2013 - Arena Layout and Marking		
TOLERANCES: (INCHES)				
FRAC.	+/- 1/32	SIZE	DWG NO	REV
.00	+/- .01	D	FE-00036	
.000	+/- .005	SCALE		
ANGULAR	+/- .25 Deg.			SHEET 4 OF 6



2013 - Field Marking

DRAWN dfoster	12/30/2012	FIRST 200 Bedford Street, Manchester, NH 03101 (603) 666-3906 -- FAX (603) 666-3907	
CHECKED			
UNLESS OTHERWISE SPECIFIED		TITLE	
TOLERANCES: (INCHES)		2013 - Arena Layout and Marking	
FRAC.	+/- 1/32	SIZE	DWG NO
.00	+/- .01	D	FE-00036
.000	+/- .005	SCALE	REV
ANGULAR	+/- .25 Deg.		
		SHEET 5 OF 6	



120.00

12'-36"
Both Sides

VIEW E-E
SCALE 1/30

506.00

2013 - Field Netting Dimensions

DRAWN dfoster	12/30/2012	FIRST 200 Bedford Street, Manchester, NH 03101 (603) 666-3906 -- FAX (603) 666-3907	
CHECKED			
UNLESS OTHERWISE SPECIFIED		TITLE	
TOLERANCES: (INCHES)		2013 - Arena Layout and Marking	
FRAC.	+/- 1/32	SIZE	DWG NO
.00	+/- .01	D	FE-00036
.000	+/- .005	SCALE	REV
ANGULAR	+/- .25 Deg.		